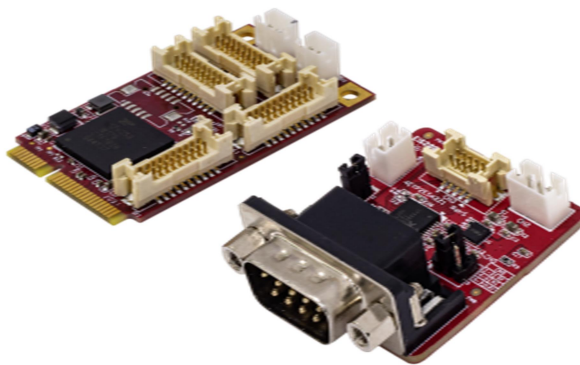


# MT328

mPCIe to Eight RS232/422/485



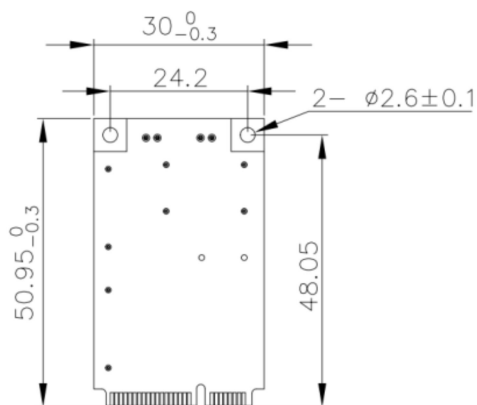
- **PCIe2.0 compliant. RS-232/422/485 mode configurable by software.**
- **4800 to 3Mbps serial data rate (RS-232 921.6Kbps) serial data rate. 16C550 compatible. 256-byte FIFOs**
- **Flexible design with cable and daughter board x 8 (DB-9 connectors).**
- **Termination Resistor and 5V/12V output by jumper setting on daughterboard.**
- **ESD(Electrostatic Discharge) protection circuit to prevent system damage.**
- **Operation Temp.-40 °C to 85 °C**

## Specifications

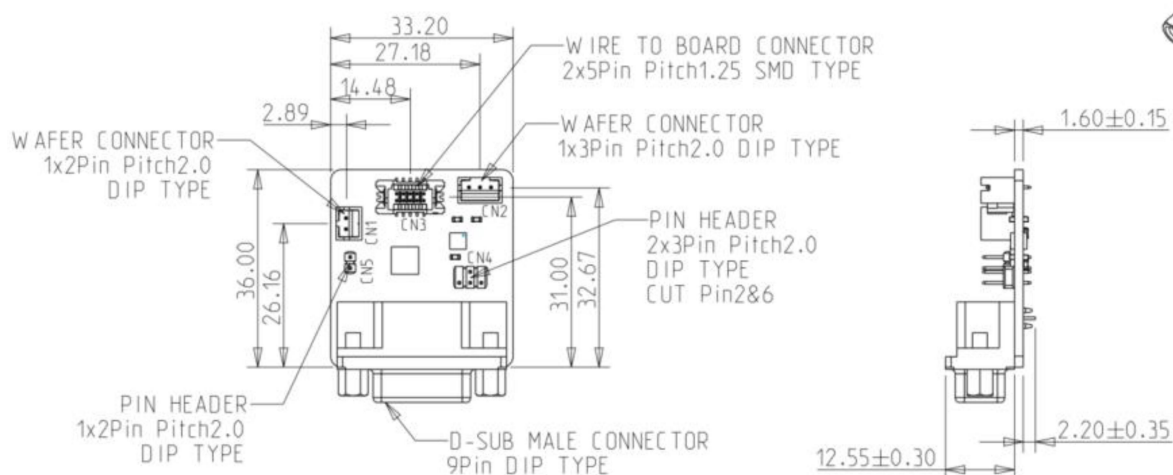
Form Factor	Mini PCIe
Input I/F	PCIExpress 2.0 x 1
Output I/F	RS232/422/485
Output Connector	DB-9 x 8
TDP	0.478W (3.3Vx 145mA)
Dimension (W x L x H)	Main Board: 30 x 50.9 x 8.45 mm CarrierBoard: 23.2 x 36 x 16.35 mm
Temperature	Operation: W/T: -40°C ~ +85°C Storage: -55°C ~ +95°C
Environment	Vibration: 5G @7~2000Hz, Shock: 50G @ 0.5ms
Notes	Please download driver from MyInnodiskwebsite. Windows: XP(32 bit), 7(32/64 bit), 8/8.1(32/64 bit), 10, WES7, CE7.0 Linux: Kernel 2.6.x and above.(We can provide Linux source for modification.)

# Drawing

## Main Board



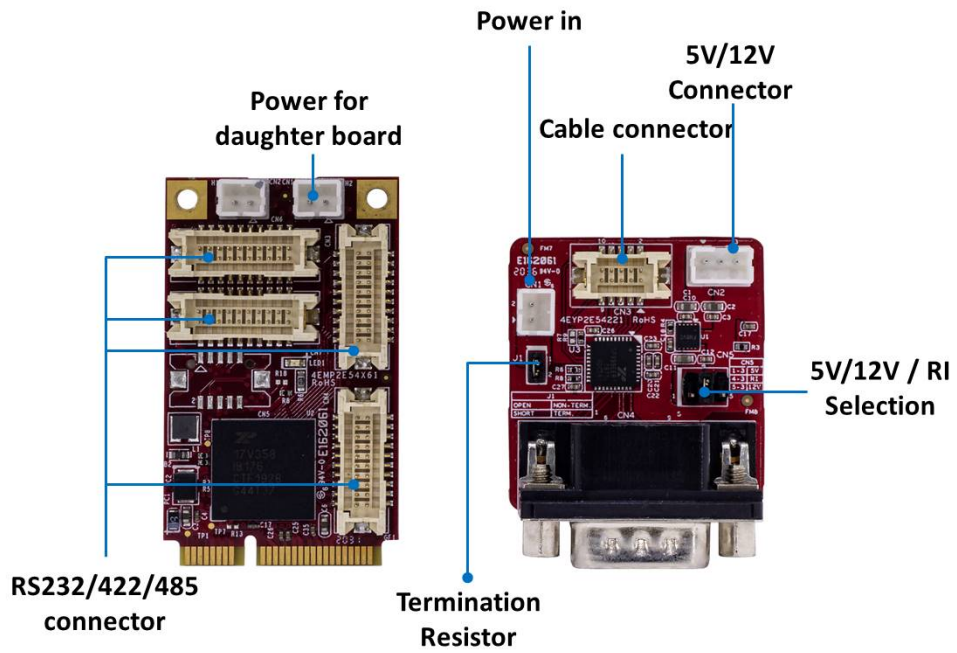
## Daughter Board



## Pin Define

DB9 Pin define			
Pin	RS-232	RS-485/RS-422	RS-485
		full duplex	half duplex
1	DCD	TX-	D-
2	RX	TX+	D+
3	TX	RX+	
4	DTR	RX-	
5	GND	GND	GND
6	DSR		
7	RTS		
8	CTS		
9	RI/5V/12V	5V/12V	5V/12V

# Appearance



## Ordering Information

### MT328

mPCIe to eight RS-232/422/485 Module without cable , -40°C~85°C, RoHS