

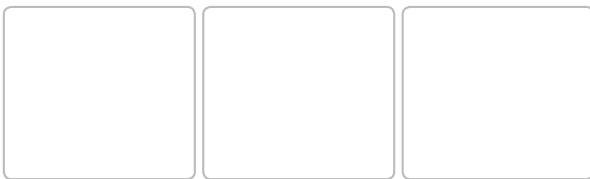
SK220

PERFECTRON

StackPC/PCIe104 MXM Graphic Card Carrier Module

Main Features

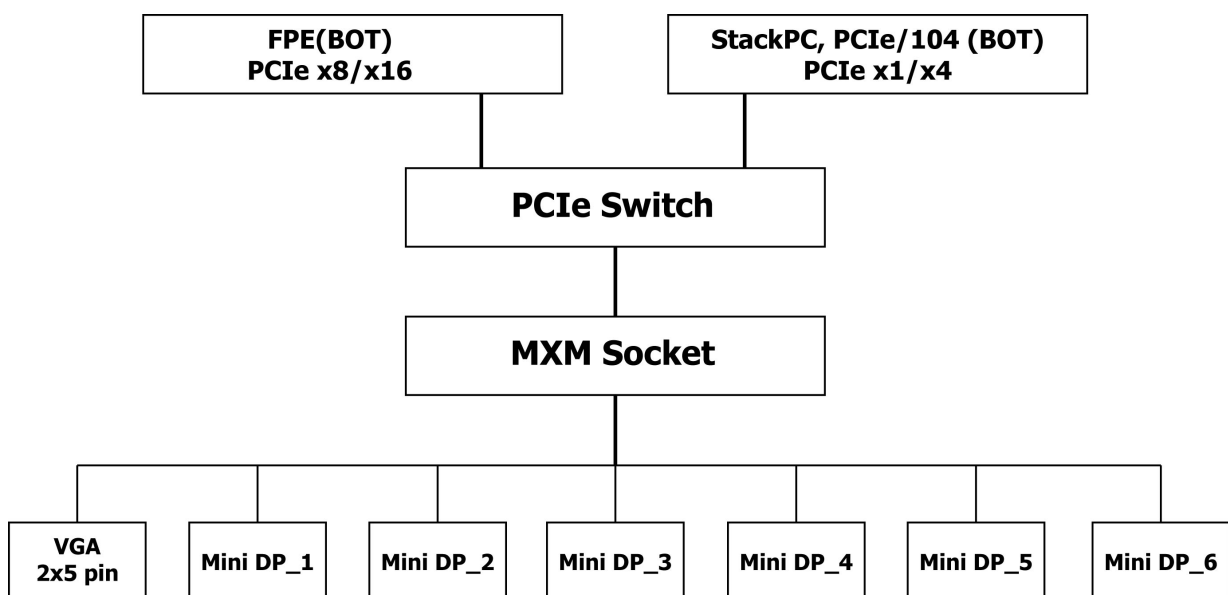
- StackPC and PCIe/104 Compliant
- Utilizes PCIe x16 and x4 Link
- MXM 3.0 and 3.1 Graphic card support
- Type A and Type B MXM Graphic card support
- Operating Temp. -40~85°C



► Specifications

| | |
|-------------------|--|
| Bus Type | PCI-Express 3.0/2.0 |
| Supported Modules | MXM 3.0 and 3.1 compliant Graphic card |
| IO | 6 x DisplayPort (Molex 501190-301) 1 x VGA (2x5 pin header) 1 x Fan Power (3 pins) |
| Board Information | Board Dimensions: 95.9 mm x 115.6 mm Stack Direction: UP (One way) Support Form Factor: StackPC and PCIe/104 |

► Block Diagram



► Packing List

- SK220-MXM Graphic Card Carrier Module

www.perfector.com

*All specifications and photos are subject to change without notice.